

Transaction Information

Tool ID	NITDE-01
Tool Status	Connected
Location	Singapore
Wafer Size	200 mm
Fab Section	Diffusion
Tool Available Date	2024-10-06

General Product Information

Vendor Supplier	TOKYO ELECTRON LIMITED
Model	ALPHA-808SC
Vintage	1994
Serial No	A00009490049
Asset Description	NITDE-01
Software Version	7.03 Rev 1
CIM	SECS
Process	NITDE Deposition

Hardware Configuration (Fab)

System Type	Description	Quantity	Status
Main System	Main Body	1	OK
Factory Interface	SMIF	1	OK
Options System			
Others			
Handler System	Wafer Transfer Robot	1	OK

Hardware Configuration (Subfab / Auxilliary Units)

Description	Quantity	Status
NONE		

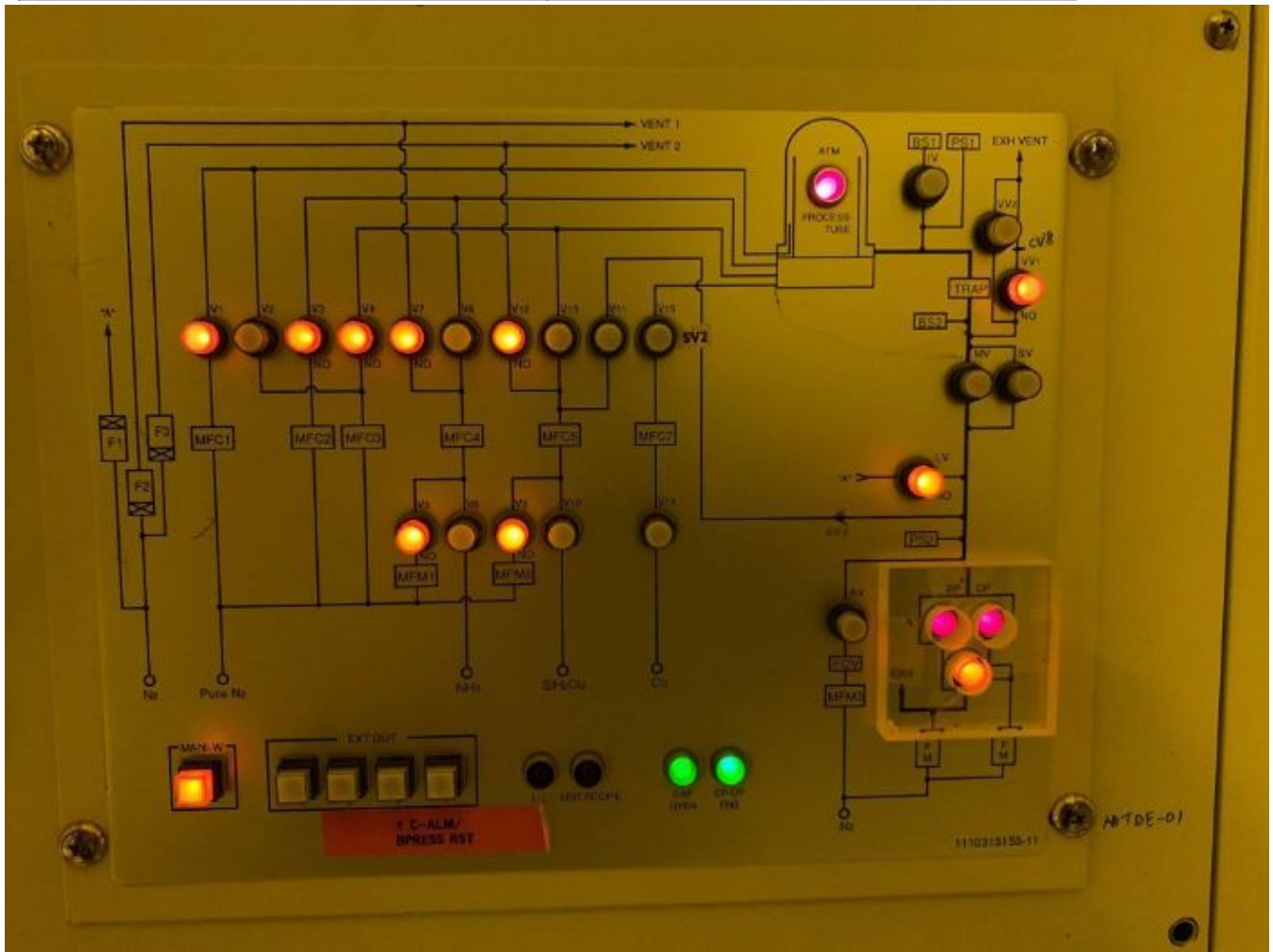
Missing/Faulty Parts / Accesories List

Description	Quantity
Quartzware/SIC is NOT included	

Tool Pictures

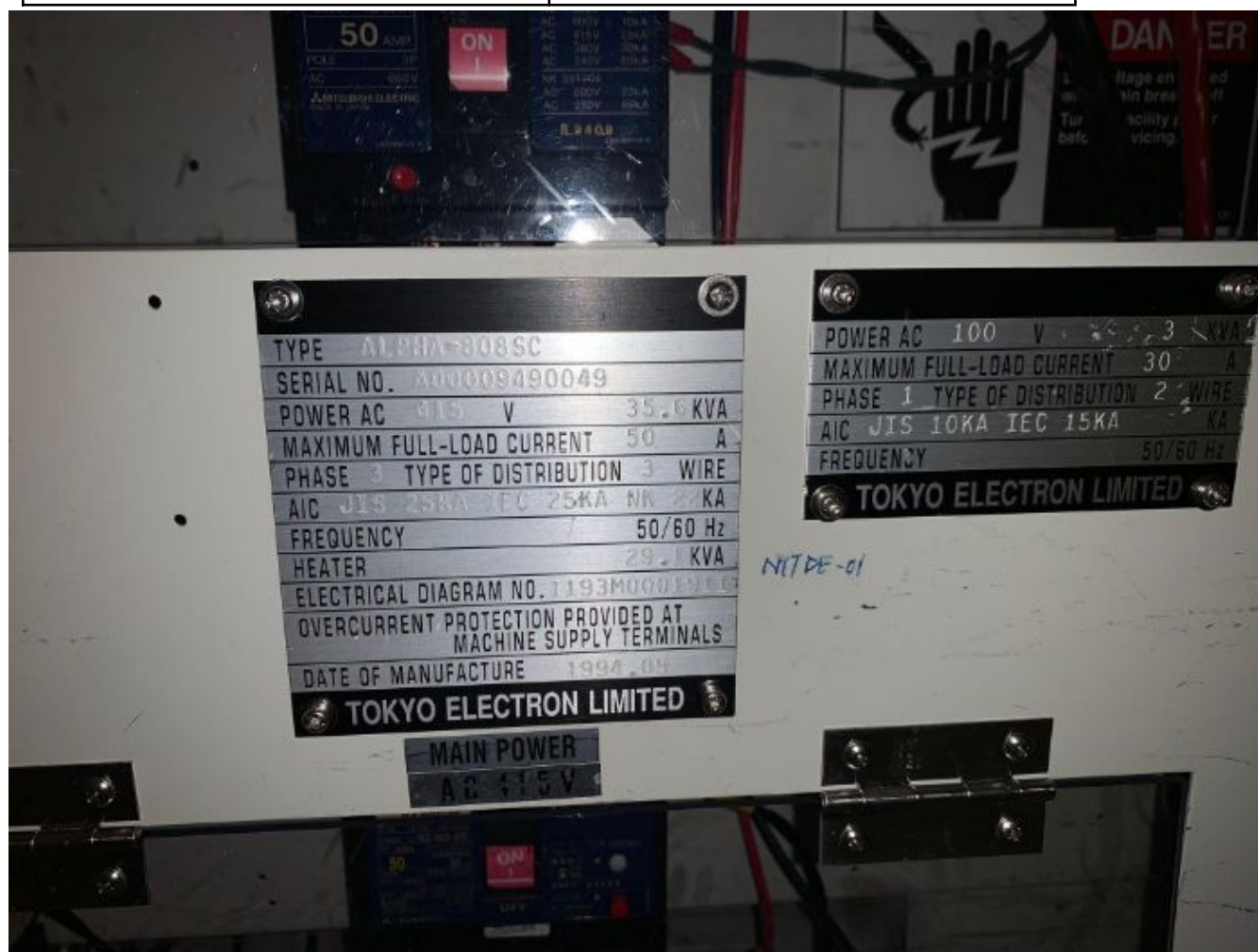
General

NITDE-01



General

NITDE-01





NITDE-01 HIA25

TS4000Z

STATUS

DISPLAY OFF	READ MAL	ALARM	POWER FAIL	STANDBY	ALARM LOG	TEMP	GAS	WHOLE
-------------	----------	-------	------------	---------	-----------	------	-----	-------

#Ver/Rev INFORMATION#

	Ver	Rev
CPU-M	U07.03	R0001
CPU-P	U07.03	R0004
CPU-T	UB7.00	R0027
CPU-S	U46.01	R1014
CPU-I/O(P)	U01.13	RP00076-2
CPU-I/O(T)	UB7.01	R0003

TOKYO ELECTRON TOHOKU LIMITED
ALL RIGHTS RESERVED, (C) 1991

WRITE MAIL	EDIT PROFILE	SET	DISPLAY	EDIT	SET INITIAL	SET CLOCK	SET V.DATA	ESC
------------	--------------	-----	---------	------	-------------	-----------	------------	-----

RECIPE

SET BAKING
T-BAWL
SHIFT



Additional Tool Data Files