

Transaction Information

Tool ID	GATOX-01
Tool Status	Connected
Location	Woodlands, Singapore
Wafer Size	200 mm
Fab Section	Diffusion
Tool Available Date	2024-10-02

General Product Information

Vendor Supplier	Tokyo Electron Limited
Model	ALPHA-808SC
Vintage	1994.09
Serial No	A00009490053
Asset Description	GATOX-01
Software Version	V07.03 R0001
CIM	SECS
Process	Gate Oxidation

Hardware Configuration (Fab)

System Type	Description	Quantity	Status
Main System	Main System	1	OK
Factory Interface	SMIF	1	OK
Options System			
Handler System	Wafer Transfer System Robot		OK
Others			

Hardware Configuration (Subfab / Auxilliary Units)

Description	Quantity	Status
NA		

Missing/Faulty Parts / Accesories List

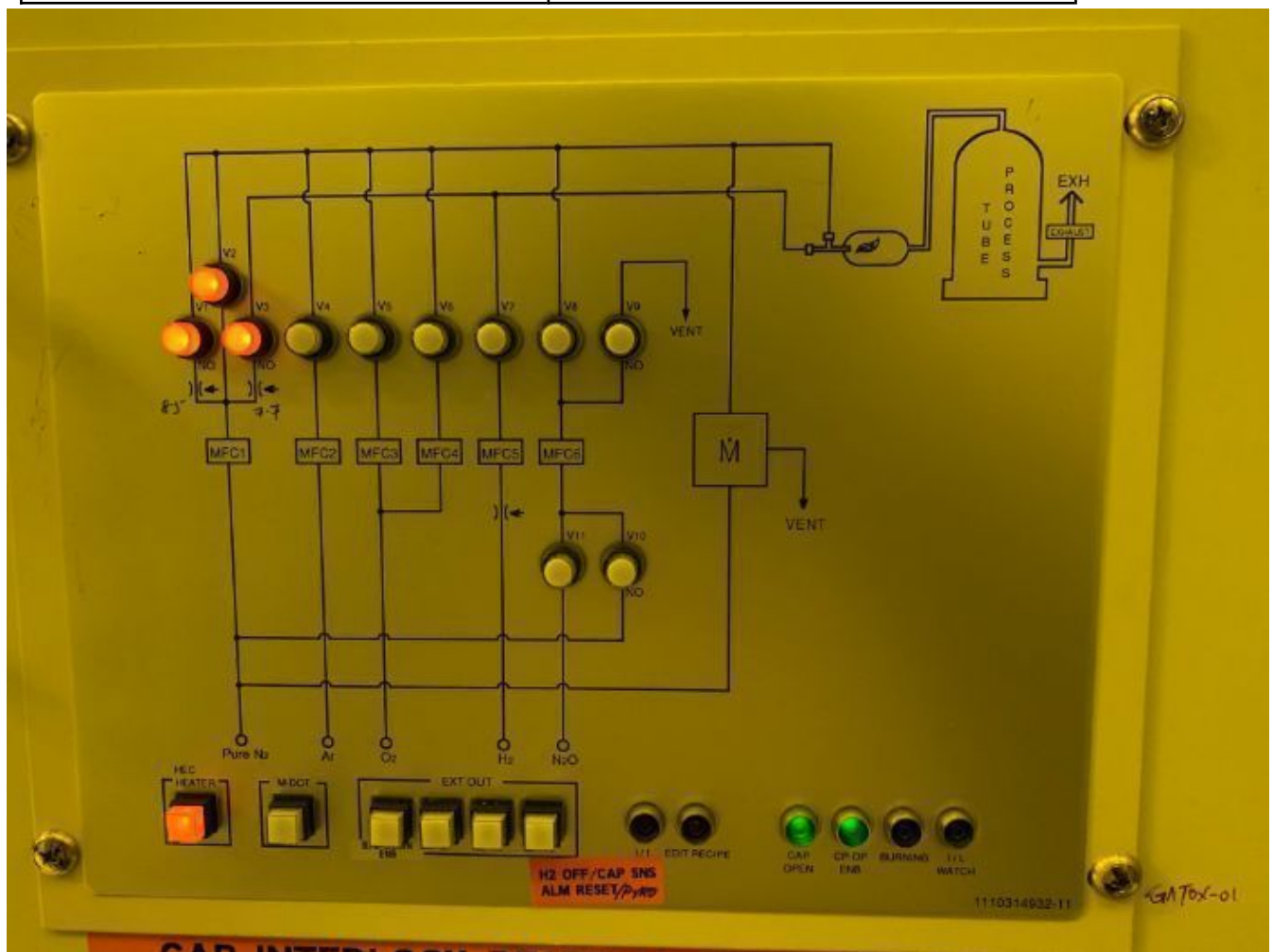
Description	Quantity
Note: Quartzware is NOT included.	

Tool Pictures

General

GATOX-01





RT A CTL UP. PLEASE START THE T-BAWL
AFTER CHECKING A/S POSITION.

111043688911

GATOX-01 HIA16

TS4000Z

STATUS

DISPLAY OFF	READ MAIL	ALARM	POWER FAIL	STANDBY	ALARM LOG	TEMP	GAS	WHOLE
-------------	-----------	-------	------------	---------	-----------	------	-----	-------

User/Rev INFORMATION

	User	Rev
CPU-M	U07.03	R0001
CPU-P	U07.03	R0004
CPU-T	U07.00	R0027
CPU-S	U46.01	R1014
CPU-I/O(P)	U01.13	RP00036-1
CPU-I/O(T)	U07.01	R0003

TOKYO ELECTRON TOHOKU LIMITED
ALL RIGHTS RESERVED, (C) 1991

WRITE MAIL	EDIT PROFILE	SET	DISPLAY	EDIT	SET INITIAL	SET CLOCK	SET VDATA	ESC
------------	--------------	-----	---------	------	-------------	-----------	-----------	-----

RECIPE

SET BAKING
T-BAWL
SHIFT





Manufacture Serial

Machine Serial Number



Additional Tool Data Files